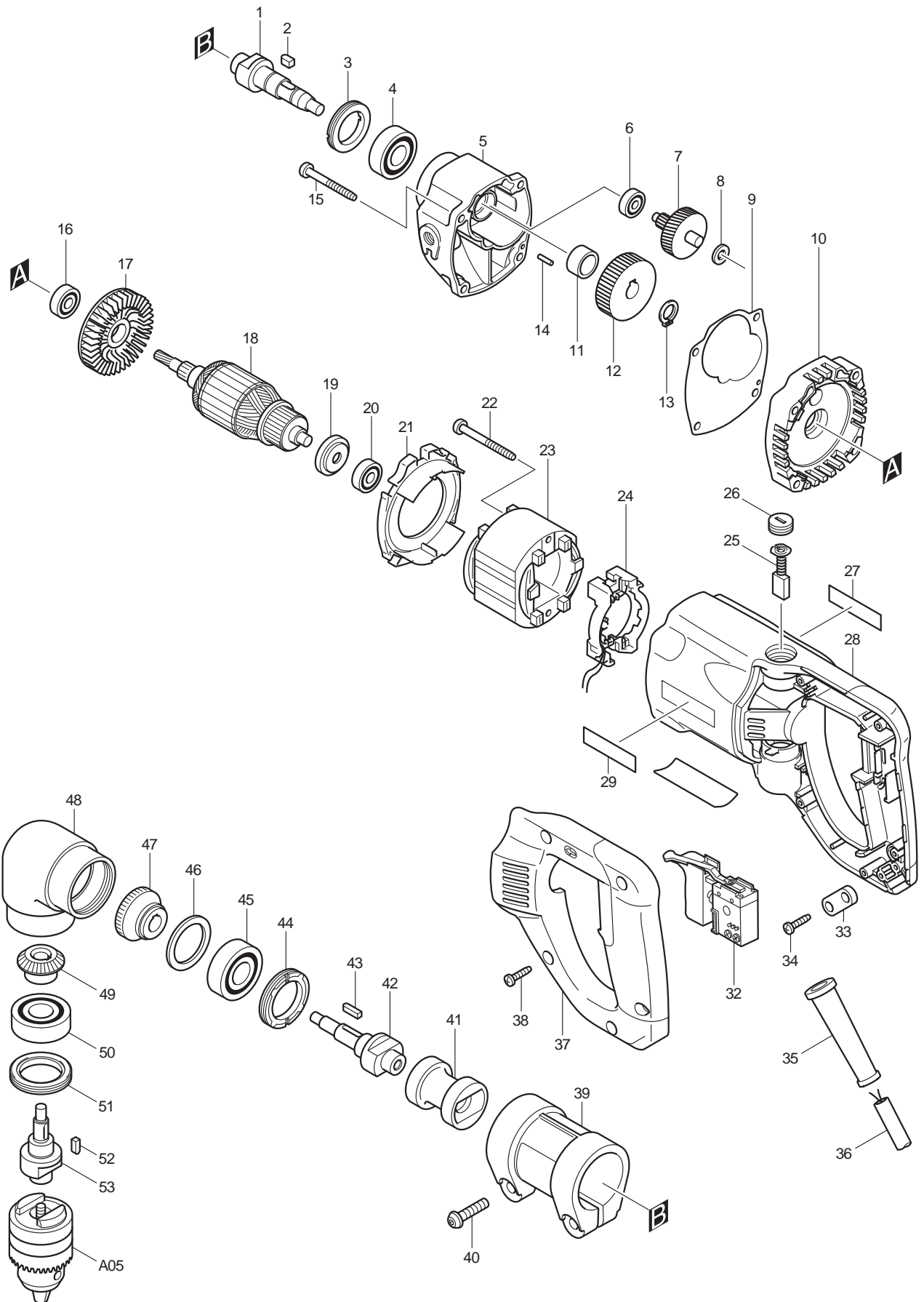




03 - 2010
DA4000LR
1/2" ANGLE DRILL



Item No	Type	Ref	Part No	Description	Qty	Unit
1			324171-2	SPINDLE	1	PC.
2			254211-1	KEY 5	1	PC.
3			285808-5	BEARING RETAINER 25-36	1	PC.
4			211206-7	BALL BEARING 6202LLB	1	PC.
5			317482-2	GEAR HOUSING	1	PC.
6			211016-2	BALL BEARING 626LLB	1	PC.
7			226144-0	GEAR COMPLETE 7-41	1	PC.
8			253133-2	FLAT WASHER 7	1	PC.
9			417650-8	GASKET	1	PC.
10			152889-3	GEAR HOUSING COVER COMPLETE	1	PC.
		INC.	212004-2	NEEDLE BEARING 810	1	PC.
		INC.	212041-6	NEEDLE BEARING 709	1	PC.
11			313105-0	SLEEVE 15	1	PC.
12			226544-4	HELICAL GEAR 41	1	PC.
13			961055-9	RETAINING RING S-15	1	PC.
14			256157-7	PIN 3	1	PC.
15			266056-5	TAPPING SCREW 5X45	4	PC.
16			211031-6	BALL BEARING 608LLB	1	PC.
17			241850-6	FAN 60	1	PC.
18			516481-3	ARMATURE ASS'Y 115V	1	PC.
		INC.		Item No. 16,17,19,20		
19			681651-4	INSULATION WASHER	1	PC.
20			211031-6	BALL BEARING 608LLB	1	PC.
21			417649-3	BAFFLE PLATE	1	PC.
22			266046-8	TAPPING SCREW 5X50	2	PC.
23			634441-4	FIELD 115V	1	PC.
24			638081-0	SUPPORT COMPLETE	1	PC.
25	1		191963-2	CARBON BRUSH CB-303 2PC/SET (W/O ORIGIN) -N/L/A	1	SET
	2		194996-6	CARBON BRUSH CB-303 2PC/SET (W/ ORIGIN)	1	SET
26			643750-0	BRUSH HOLDER CAP	2	PC.
27			819063-3	MAKITA LABEL	1	PC.
28			183395-7	MOTOR HOUSING	1	PC.
		INC.	643708-9	BRUSH HOLDER 5-11	2	PC.
		INC.		Item No. 27,29		
29			819063-3	MAKITA LABEL	1	PC.
32			650510-3	SWITCH TG813TLA-1	1	PC.
33			687063-9	CORD CLAMP	1	PC.
34			265995-6	TAPPING SCREW 4X18	2	PC.
35	1		682567-6	CORD GUARD 8	1	PC.
	2		682572-3	CORD GUARD 8	1	PC.
36			664064-4	CORD W/PLUG 2P-18-2.5M, SJ	1	PC.
37			417648-5	HANDLE COVER	1	PC.
38			265995-6	TAPPING SCREW 4X18	5	PC.
39			152932-8	JOINT COMPLETE	1	PC.
40			266281-8	HEX.SOCKET BUTTON BOLT M8X35	2	PC.
41			324154-2	SOCKET	1	PC.
42			324170-4	GEAR SHAFT L	1	PC.
43			254226-8	KEY 4	1	PC.
44			285838-6	BEARING RETAINER 29-42	1	PC.
45			211278-2	BALL BEARING 6203DDW	1	PC.
46			253854-6	FLAT WASHER 30	1	PC.
47			227411-6	ZEROL BEVEL GEAR 19	1	PC.

Item No	Type	Ref	Part No	Description	Qty	Unit
48			152890-8	ANGLE HOUSING COMPLETE	1	PC.
49			227412-4	ZEROL BEVEL GEAR 13	1	PC.
50			211278-2	BALL BEARING 6203DDW	1	PC.
51			285838-6	BEARING RETAINER 29-42	1	PC.
52			254219-5	KEY 4	1	PC.
53			324169-9	GEAR SHAFT H	1	PC.
55			410102-8	KEY HOLDER	1	PC.
ACCESSORIES						
- See catalogue or visit www.makita.ca for more accessories -						
A01			122646-3	GRIP ASS'Y	1	PC.
	INC.		265485-9	HEX.BOLT M8X35	1	PC.
	INC.		317488-0	GRIP BASE	1	PC.
A02			152892-4	GRIP COMPLETE	1	PC.
A03			783216-9	HEX. WRENCH 5	1	PC.
A04			824646-6	PLASTIC CARRYING CASE	1	PC.
	INC.		416401-6	LATCH (TYPE 1)	2	PC.
	INC.		163467-4	LATCH (TYPE 2)	2	PC.
A05			193319-5	DRILL CHUCK S-13	1	PC.
	INC.		266280-0	HEX. SOCKET HEAD BOLT M6X25	1	PC.
	INC.		267763-3	NORD-LOCK WASHER 6	2	PC.
A06			763434-5	CHUCK KEY 10	1	PC.
A07			193316-1	ANGLE ATTACHMENT	1	PC.
	INC.		042017-7	MAKITA GREASE N NO.1 (0.007KG) - N/A as individually	1	PC.
	INC.		152890-8	ANGLE HOUSING COMPLETE	1	PC.
	INC.		152932-8	JOINT COMPLETE	1	PC.
	INC.		211278-2	BALL BEARING 6203DDW	2	PC.
	INC.		227411-6	ZEROL BEVEL GEAR 19	1	PC.
	INC.		227412-4	ZEROL BEVEL GEAR 13	1	PC.
	INC.		253854-6	FLAT WASHER 30	1	PC.
	INC.		254219-5	KEY 4	1	PC.
	INC.		254226-8	KEY 4	1	PC.
	INC.		266281-8	HEX.SOCKET BUTTON BOLT M8X35	2	PC.
	INC.		285838-6	BEARING RETAINER 29-42	2	PC.
	INC.		324154-2	SOCKET	1	PC.
	INC.		324169-9	GEAR SHAFT H	1	PC.
	INC.		324170-4	GEAR SHAFT L	1	PC.
	INC.		783216-9	HEX. WRENCH 5	1	PC.
A08			122645-5	STOPPER POLE ASSY	1	PC.
	INC.		345181-6	STOPPER HOLDER	1	PC.
	INC.		256828-6	ROD 8	1	PC.
	INC.		286210-5	CAP 20	1	PC.
A09			193317-9	EXTENSION ATTACHMENT (See Parts Breakdown 193317-9)	1	PC.

SERVICE CHANGES

1. Changes on Cord Guard

Item No.	Description	Type 1	Type 2
35	Cord Guard	682567-6	682572-3

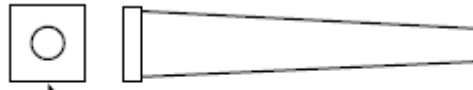
Above parts are completely interchangeable as a set.

Type 1



Outer diameter: \varnothing 22 mm (7/8")
Material: Urethane (TPU)

Type 2



Outer dimensions: 22 mm (7/8") x 22 mm (7/8")
Material: Rubber (EPDM)